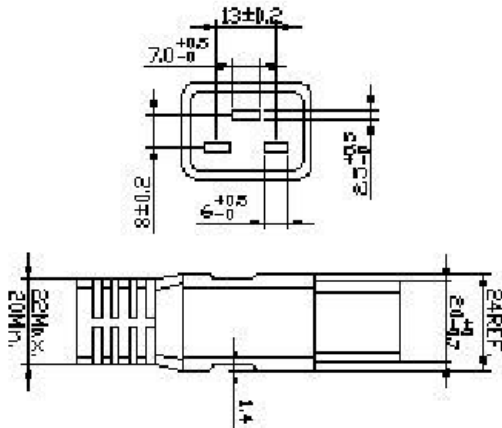


:GA Reserves the right to alter Non-Critical dimensions without notice:

Packaging: Figure 8 and twist tie

C19 Details



Notes:

1. Plug: **NEMA 5/20 Hospital Grade Clear**
2. Cordage: SJT3x12 OD 11.5mm
3. Connector: EN60320C19
4. Approvals: UL, cUL
5. Rating: 20A/125V
6. Color: Black
7. Color coding: blue, brown, green/yellow

A	Drawing Release	9/21/12
REV	Description	Date



4B Jules Lane  
New Brunswick, NJ 08901  
Tel. 732-249-2656  
www.megaelectronics.com

Proprietary Notice:

This document is the property of MEGA Electronics, Inc. The information contained herein is not to be disclosed to anyone without the express written consent of MEGA Electronics.

Customer P/N  
Rev.

RoHS Compliant

Item Description: Hospital Grade 20A/125V C19 6 meters

Approved: ES

Drawn By: GF

Date: 9/21/12

Part Number: 458-M520-6