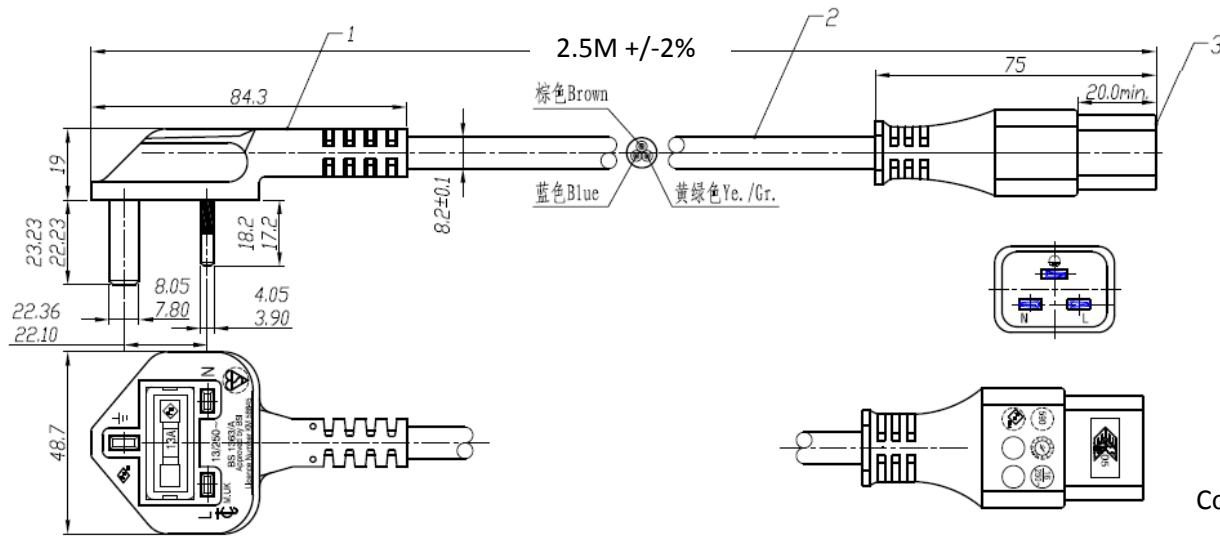
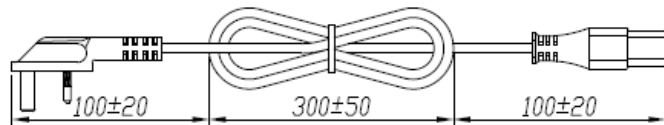


Plug: BS1363
13A Fuse



Connector: EN60320 C19

Packaging: Figure 8 and twist tie



Notes:

1. Plug Type: BS1363 (13A Fuse)
2. Cordage: H05VVF3G1.5mm
3. Connector: EN60320 C19
4. Approvals: BSI/G-Mark/Spring -ENEC
5. Rating: 13A/250V
6. Color: Black

A	Drawing Release	1/25/17
REV	Description	Date



4B Jules Lane
New Brunswick, NJ 08901
Tel. 732-249-2656
www.megaelectronics.com

Proprietary Notice:

This document is the property of MEGA Electronics, Inc. The information contained herein is not to be disclosed to anyone without the express written consent of MEGA Electronics.

RoHS Compliant

Item Description: United Kingdom Power Cord with C19 connector for Gulf States/Singapore

Approved By: ES

Drawn By: AG

Part Number: 209-26GS