


Features:

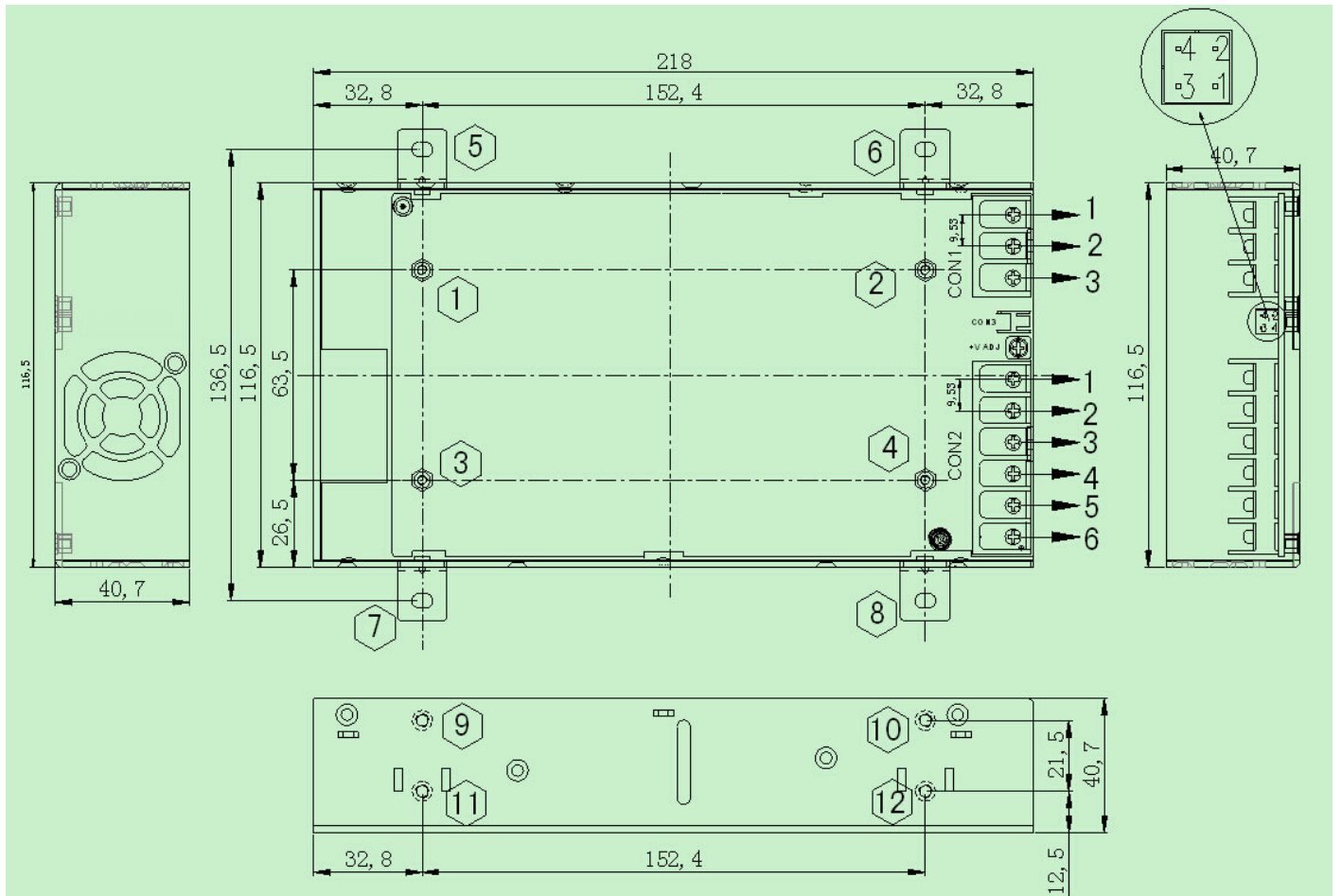
- Universal AC input(90~264Vac)
- Built-in active PFC function, PF>0.95
- High efficiency, long life and high reliability
- Output protection: OLP/OVP/OTP/SCP
- Wide operating ambient temperature (-30°C ~70°C)
- 150%(750W) peak load capacity
- Constant current output
- Build in remote ON-OFF control
- 1 U low profile,40.7mm
- High efficiency up to 92%
- PCB soldering side with conformal coating
- Forces air cooling by DC Fan
- 3 years warranty

SPECIFICATION

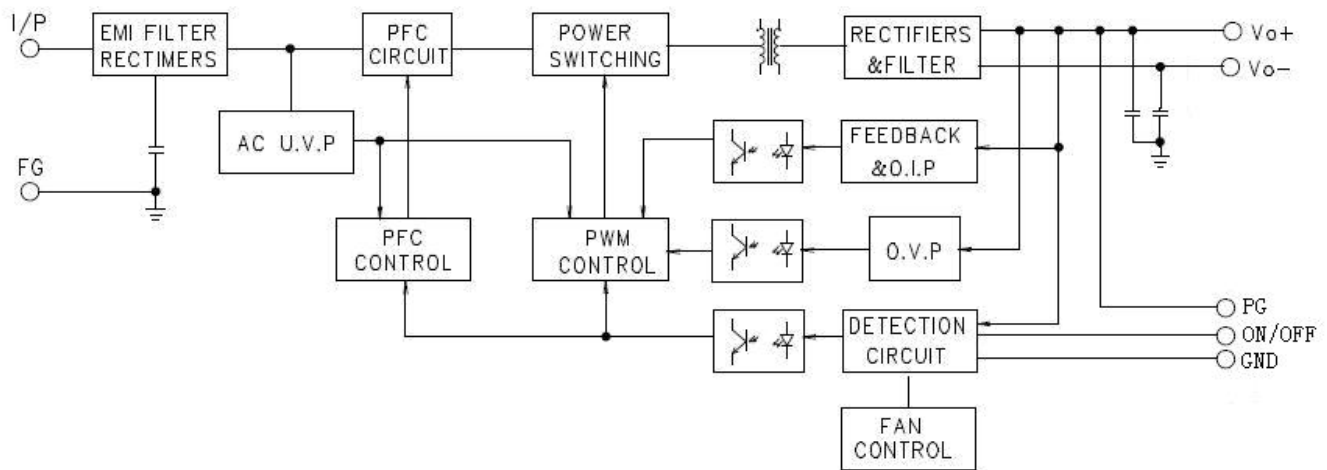
MODEL		MFPDF-500L-24	
OUTPUT	DC Output	24V	
	Rated Current	21A	
	Ripple and Noise	0-70°C	≤240mV
		Note 2 -30°C	≤480mV
	Voltage ADJ. Range	23.5~26.5V	
	Voltage Accuracy	±3%	
	Line Regulation	±1%	
	Load Regulation	±2%	
	Set-up Time	≤3S (230Vac input, Full load)	
	Hold up Time	≥10mS/(230Vac input, Full load)	
	Temperature Coefficient	±0.03%/°C	
	Overshoot and Undershoot	<5.0%	
INPUT	Voltage Range	90Vac~264Vac	
	Frequency Range	47Hz~63Hz	
	Power Factor(Typical)	PF>0.98/115VAC PF>0.95/230VAC	
	Efficiency (Typical)	≥92% at 230Vac,full load	
	AC Current (max.)	<8A	
	Inrush Current (Typical)	<20A@115Vac ; <40A@230Vac Cold start	
	Leakage Current	Input—output: ≤0.1mA Input—PG: ≤0.75mA	
	Standby power consumption	<1.5W	
PROTECTION	Over Load	≥25A, ≤31.2A,Constant current limiting for some time(31.2A, last ≥3S) then PS stop working for 7S,after 7S,if the load ≤rated current, PS will work normally, auto recovery	
	Over Voltage	29~34V, Constant voltage, auto recovery	
	Over Temperature	95°C±5°C(detect on thermal protector temperature);shut down, auto recovery after the temperature goes down to 50°C	
	Short Circuit	Long-term mode, constant current, auto recovery	
ENVIRONMENT	Operating amb. Temp. & Hum.	-30°C ~70°C; 20%~90%RH No condensing (refer to derating curve)	
	Storage Temp. & Hum.	-40°C ~85°C; 10%~95%RH No condensing	
SAFETY & EMC (Note 3)	Safety Standards	UL60950-1 2nd Ed; IEC 60950-1:2005(2nd Ed) ;EN60950-1:2006	
	Withstand Voltage	Primary-Secondary:3.0KVdc; ≤10mA .Primary-PG:1.5KVdc; ≤10mA. Secondary-PG:0.5KVdc;≤10mA.	
	Isolation Resistance	10M ohms	
	EMI Conduction & Radiation	Compliance to EN55022, FCC PART 15 CLASS B	
	Harmonic Current	Compliance to EN61000-3-2, class D	
	EMS Immunity	Compliance to EN61000-4-2,3,4,5,6,8,11; heavy industry level	
OTHERS	MTBF (MIL-HDBK-217F)	More than 200,000Hrs (25°C, Full load)	
	Remote control	Pls refer to below detailed description	
	PG signal	POWER GOOD warning signal, normal: 5±0.3V; abnormal: 0-0.8V	

	Dimension (L*W*H)	218*116.5*40.7mm
	Packing	6PCS/CTN, 8.0KGS, 0.04CBM
	Cooling method	Forced air cooling (Built-in DC Fan, controlled by temperature and load)
		Fan working: temperature controller up to 60±10°C or Output Current >10±1A Fan stop working: temperature controller down to 40±10°C or Output Current <9±1A
NOTE	<ol style="list-style-type: none"> 1. All parameters NOT specially mentioned are measured at rated input, rated load and 25°C of ambient temperature. 2. Measured at 20MHz of bandwidth by using a 12" twisted pair-wire terminated with a 0.1 uF & 47uF parallel capacitor. 3. The power supply is considered a component which will be installed into final equipment. The final equipment must be re-confirmed that it still meets EMC directives. 	

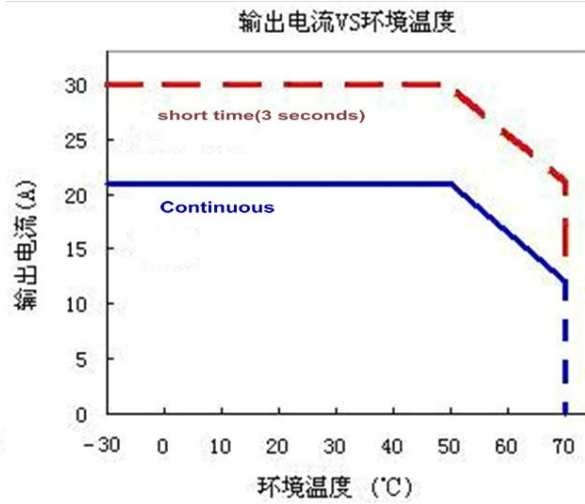
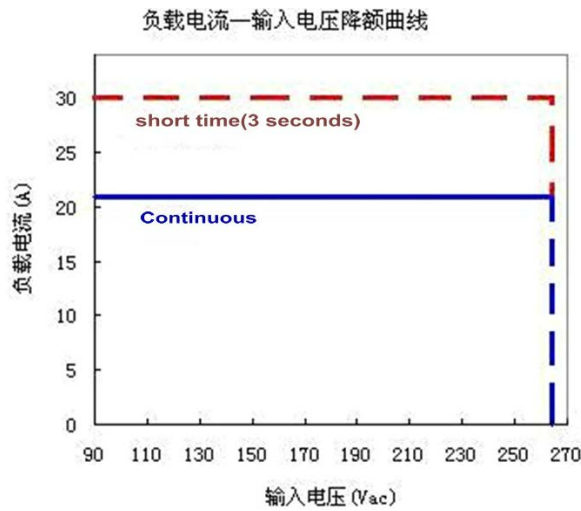
■ **Mechanical Specification** Unit: mm Tolerance: +1mm



■ **Block Diagram**



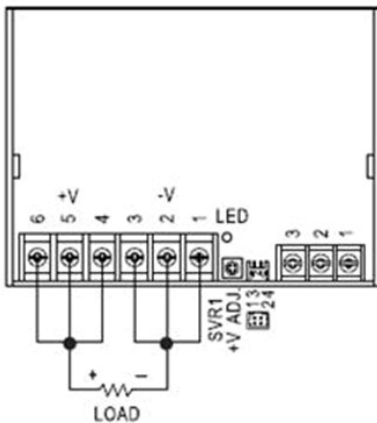
Derating Curve



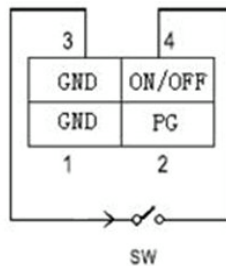
PG and remote function

Pin No.	Function	Description
1	GND	POWER GOOD warning signal GND
2	PG	POWER GOOD warning signal(Synchronization with output voltage) ,PS normal: 5±0.3 V, abnormal: 0-0.8V
3	GND	ON/OFF remote GND
4	ON/OFF	Two methods to realize: 1. A switch between Pin3 and Pin4, pls see pic1. 2. Power source between Pin3 and Pin4, pls see pic2.

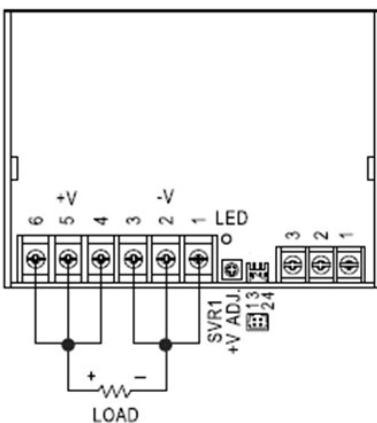
Pic 1:



Between Pin3 and Pin4	Status
SW Close	On
SW Open	Off



Pic 2:



Between Pin3 and Pin4	Status
Power Source (0~0.8V)	On
Power Source (4~10V)	Off

